

ACZ-350™

PORTABLE
TL-2 & TL-3
END
TREATMENT



OVERVIEW

The ACZ-350 System combines ease of use and NCHRP 350, gating, non-redirective TL-2 and TL-3 crash cushion performance for work zone protection. This partially reusable crash cushion can be easily transported, and installed with No Roadway Anchors.

SUPERIOR IMPACT PERFORMANCE

The unique design of the ACZ-350 systems protects errant drivers from impacting concrete barrier ends, and also contains the errant vehicle from vaulting into the workzone.

NON-REDIRECTIVE, GATING CRASH CUSHION SYSTEM

All Crash Cushions defined as Non-redirective and Gating require a clear zone. Clear Zones are areas behind the crash cushion that NO workers, machinery, obstructions or other debris could interfere with an errant vehicle. This area should also remain relatively flat. If there are any questions or concerns, please contact your local Energy Absorption Systems, Inc. representative.

FEATURES AND BENEFITS

- No Vaulting
- Safely contains errant vehicle
- Accommodates impacts up to 2,000 kg, (4,500 lbs) traveling at speeds up to 100 km/h (62 mph)
- Simple and Fast Installation
- Protects Permanent or Temporary, Steel or Concrete Barrier
- Ideal for Work Zones
- No Foundation or Anchoring

EASY CLEAN-UP
NARROW PROFILE
MINIMUM INTRUSION
LOW COST/ AFFORDABLE
QUICK/EASY TO MOVE

ACZ-350™



ENERGY ABSORPTION
SYSTEMS, INC.

SAVING LIVES BY DESIGN®

www.energyabsorption.com

EASY DEPLOYMENT AND REMOVAL

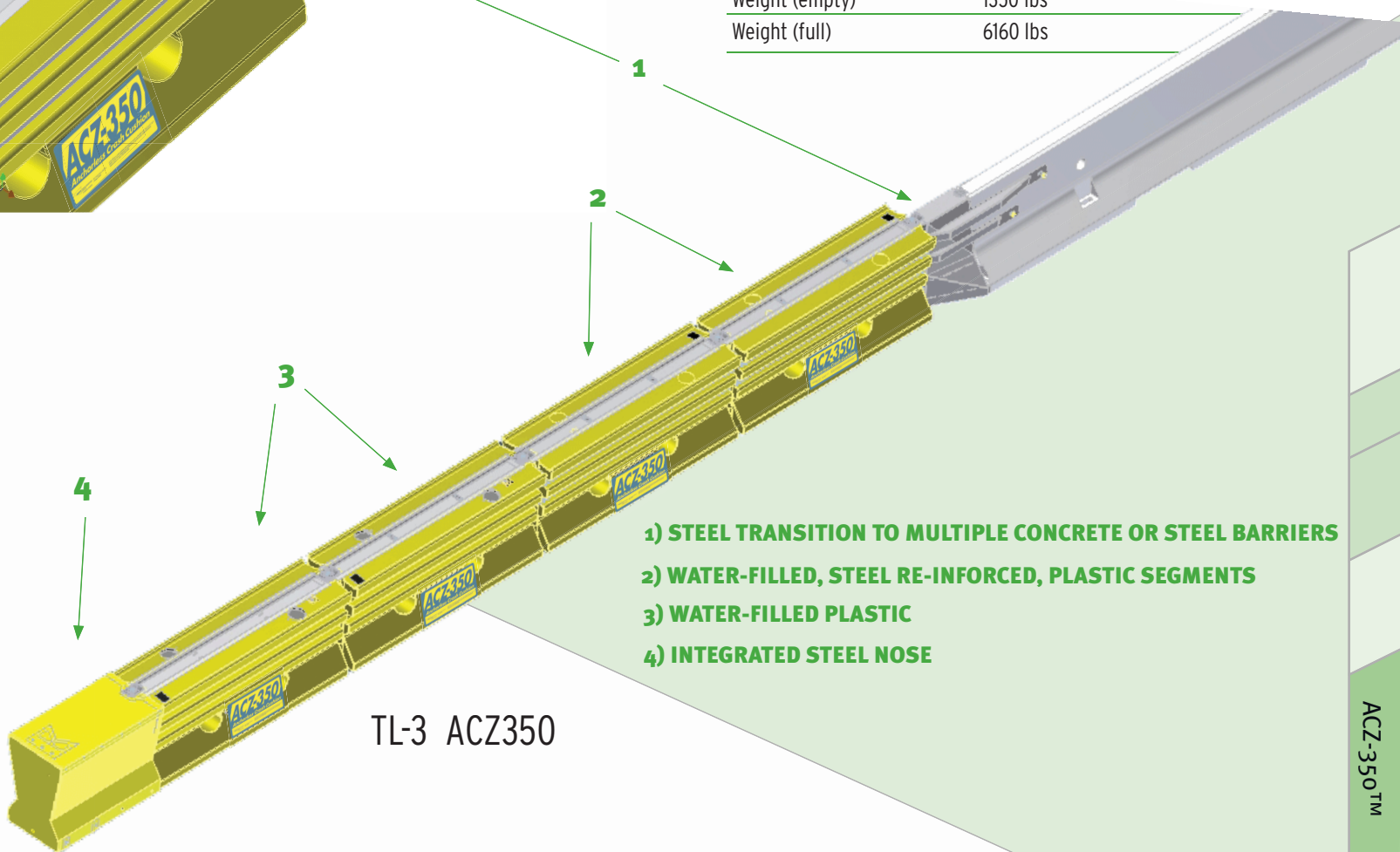
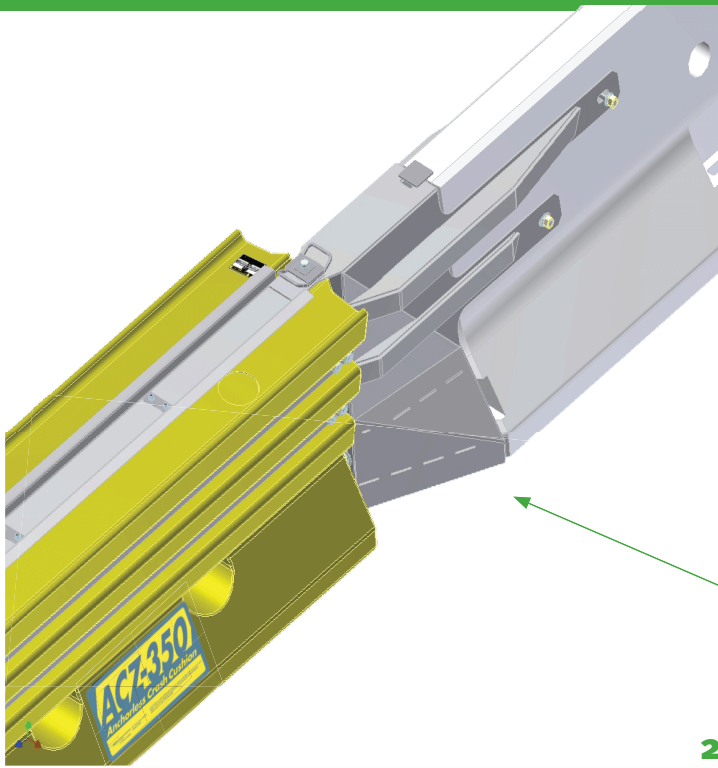
The ACZ-350 System can be easily unloaded and positioned without cranes or heavy equipment. Deployment involves three simple steps:

1. Unload
2. Position and pin barrier sections.
3. Fill Segments with water

SPECIFICATIONS

TL-3

Length	31'-7" (9.6 m)
Width	1'-10" (.6m)
Height	2' 9" (.8m)
Weight (empty)	1350 lbs
Weight (full)	6160 lbs



- 1) STEEL TRANSITION TO MULTIPLE CONCRETE OR STEEL BARRIERS
- 2) WATER-FILLED, STEEL RE-INFORCED, PLASTIC SEGMENTS
- 3) WATER-FILLED PLASTIC
- 4) INTEGRATED STEEL NOSE

TL-3 ACZ350

DISTRIBUTED BY: