

This manual contains important warnings and information. READ AND KEEP FOR REFERENCE.

INSTRUCTIONS


RoadLazer™ Husky™ 515 Transfer Kit

Model 239934, Series A

100 psi (7 bar, 0.7 MPa) Maximum Working Pressure

Pressure Relief Procedure

⚠ WARNING



INJECTION HAZARD

The system pressure must be manually relieved to prevent the system from starting or spraying accidentally. Fluid under high pressure can be injected through the skin and cause serious injury. To reduce the risk of an injury from injection, splashing fluid, or moving parts, follow the **Pressure Relief Procedure** whenever you

- Are instructed to relieve the pressure
- Stop spraying
- Check or service any of the system equipment
- Install or clean the spray tip

1. Set hydraulic bypass valve to BYPASS position.
2. Stop engine by turning key to OFF position.
3. Place empty pail under paint guns to catch drainage.
4. Relieve hose pressure: Use Programmable Sipline Controller to trigger each gun for at least 3 seconds.
5. Close paint gun ball valves.
6. Place empty pail under paint drain valves to catch drainage.
7. Open all drain valves one at a time.
8. Close valves immediately to prevent paint from drying in system.
9. Relieve beads system pressure by turning bead system valve to OFF position

If you suspect that the spray gun or hose is clogged, or that pressure has not been fully relieved after following the steps above, **very slowly** loosen the hose end coupling, and relieve pressure gradually. Then loosen it completely. Then clear the valve or hose.

Installation

1. Follow **Pressure Relief Procedure** at left.
2. Install Auxiliary Air Kit 240496 per manual 308831.
3. Mount Husky 515 pump with syphon on drum. Refer to manual 308981 and Fig. 1.

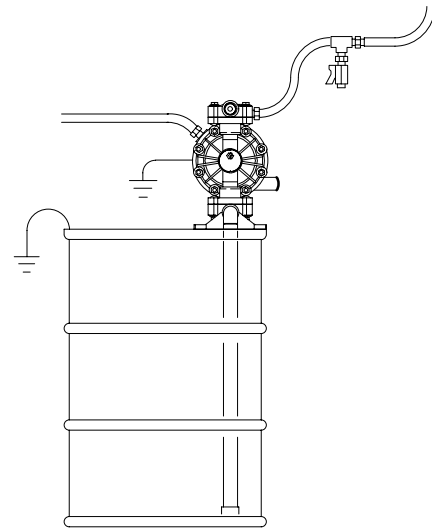


Fig. 1

T10246

4. Install air line fitting (11) on Husky pump.
5. Connect coupled air hose (9) to fitting (11).
6. Connect end of coupled air hose to RoadLazer quick disconnect fitting (16).

Operation

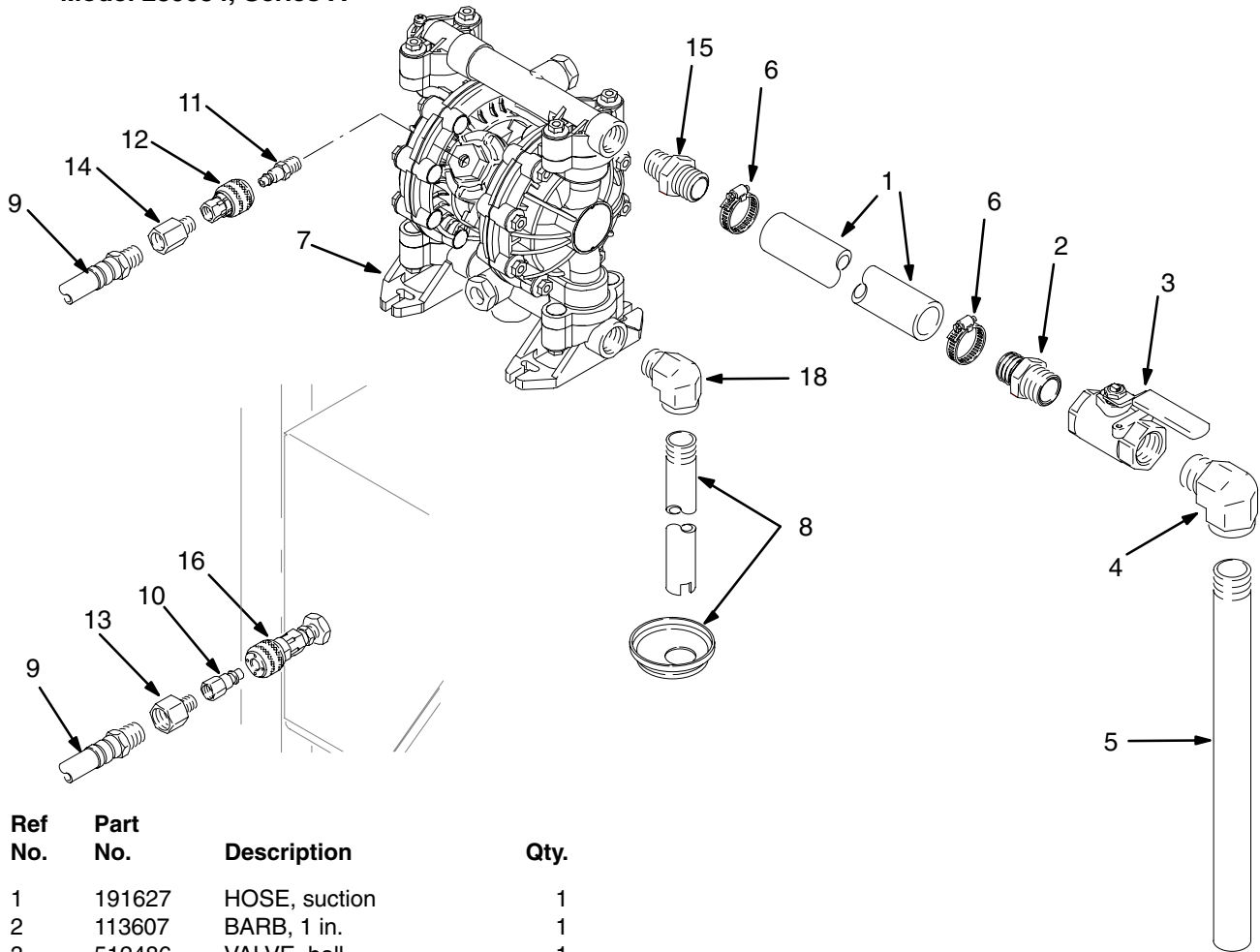
1. Follow **Pressure Relief Procedure** at left.
2. Turn on RoadLazer per manual 308611.
3. Control fluid transfer with ball valve (3).
4. Turn off RoadLazer per manual 308611.
5. Relieve pressure in hose by opening ball valve.

Cleaning

1. Follow **Pressure Relief Procedure** at left.
2. Clean pump per manual 308981.

Parts

RoadLazer Husky 515 Transfer Kit Model 239934, Series A



Ref No.	Part No.	Description	Qty.
1	191627	HOSE, suction	1
2	113607	BARB, 1 in.	1
3	512486	VALVE, ball	1
4	114304	ELBOW, street, 90°	1
5	183423	TUBE, intake	1
6	101818	CLAMP, hose	2
7	D51331	PUMP, 515, Husky	1
8	221094	KIT, 55-gallon drum mount	1
9	109132	HOSE, coupled, 25 ft	1
10	169967	FITTING, line, air	1
11	169970	FITTING, line, air	1
12	208536	COUPLER, line, air	1
13	159842	BUSHING, 1/4(m) x 1/2(f) npt	1
14	150287	COUPLING	1
15	114419	BARB, 1 in.	1
16	240496	KIT, air, auxiliary	1
17	119400	SEALANT, pipe (not shown)	1
18	111386	ELBOW, street	1

All written and visual data contained in this document reflect the latest product information available at the time of publication. Graco reserves the right to make changes at any time without notice.

Sales Offices: Minneapolis
International Offices: Belgium, Korea, Hong Kong, Japan

GRACO INC. P.O. BOX 1441 MINNEAPOLIS, MN 55440-1441

www.graco.com

PRINTED IN USA 308796 03/1998, Revised 10/2004